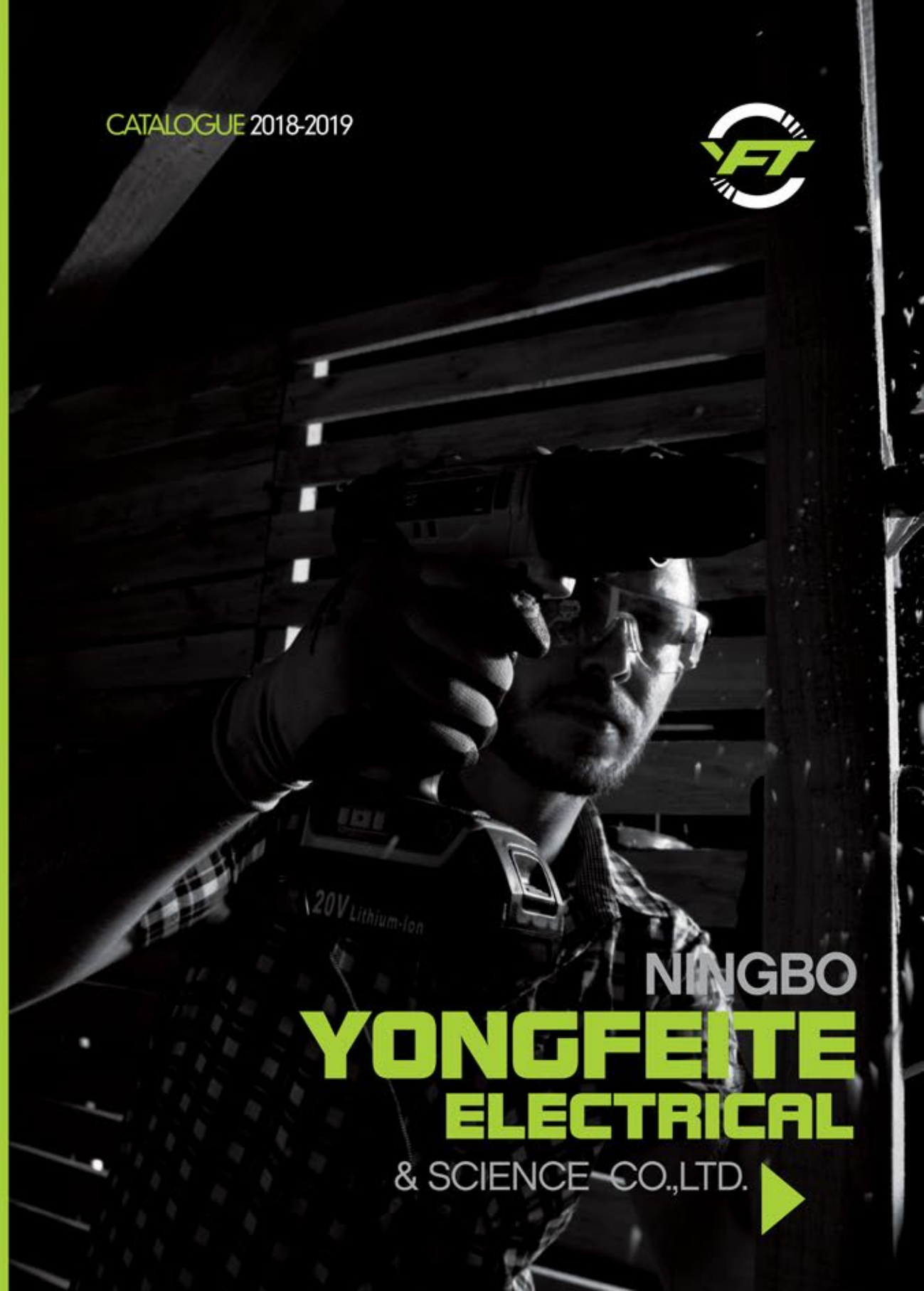


CATALOGUE 2018-2019



NINGBO YONGFEITE ELECTRICAL & SCIENCE CO., LTD.

Add: Dalin Village Huangbi'ao Town Xiangshan Ningbo, China
Tel: 0086-574-65671313, 65670828
Fax: 0086-574-65670101
Web: www.yftqy.com



NINGBO
YONGFEITE
ELECTRICAL
& SCIENCE CO.,LTD. ▶

A
MORE POWERFUL



B
MORE BATTERY LIFE



E
MORE DURABLE



C
MORE RUNNING TIME



D
MORE SAFETY



OVER CURRENT PROTECTION



OVER VOLTAGE PROTECTION



OVER TEMPERATURE PROTECTION



INFLATION PROTECTION

Try us to make your work easier



ABOUT FOCUS ON THE POWER TOOLS

YFT is a well-known and reputable enterprise of electric tools industry in Ningbo city which is established since year 2001.

We specialized in cordless power tools, after more than 10 years developing and accumulating, we have formed a complete set of management and mature technology. Furthermore, we adheres to highest quality assurance and quality control practices along with production and testing equipment to ensure every manufactured item leave and factory is in perfect order. The reliability and stability of the products is what we concern most.

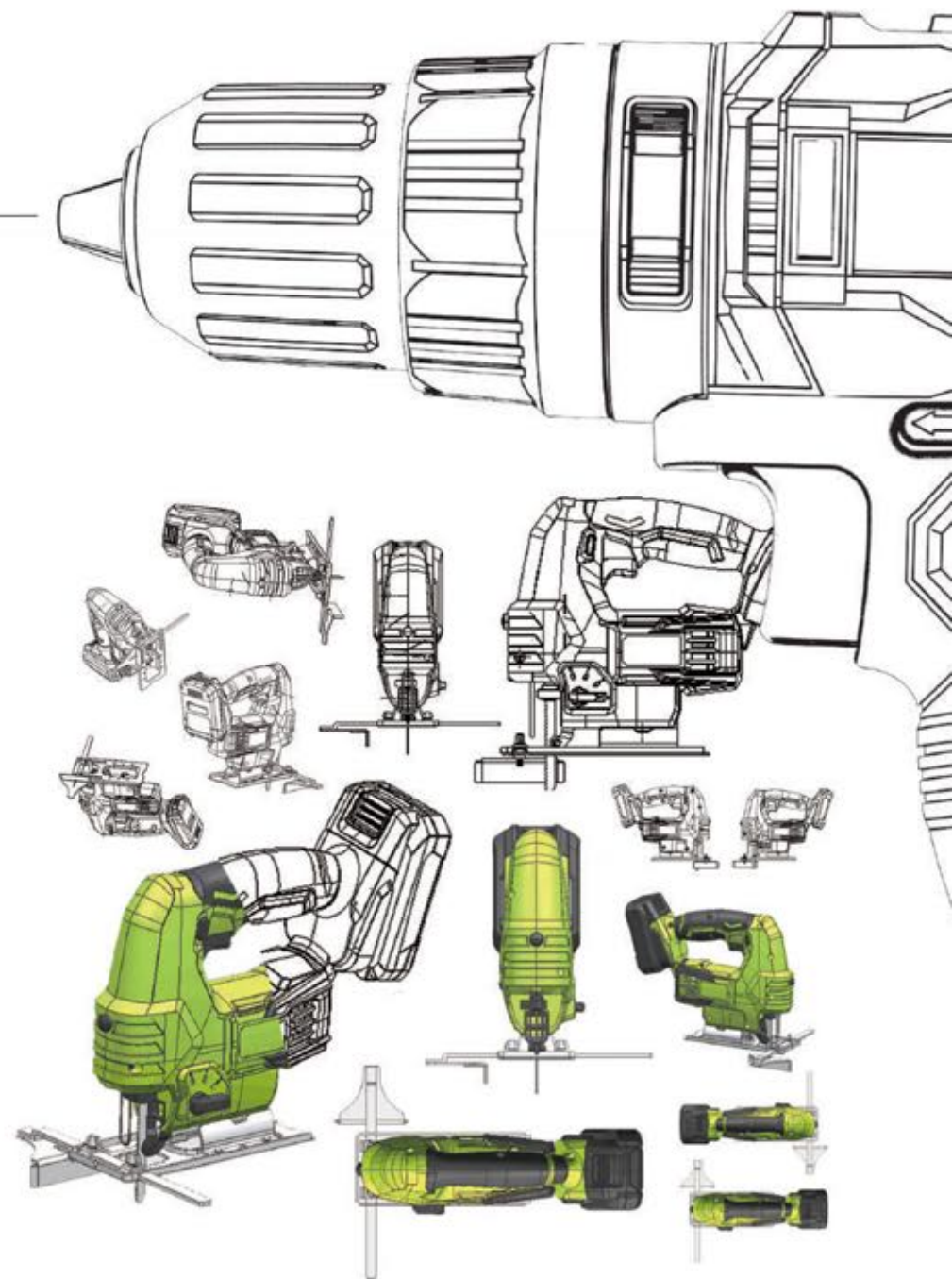
Integrity is the most paramount and key factor of our enterprise tenet, we trust that honesty not only renders clients satisfaction, but also build long-term customer trust. We are looking forward to be your net cooperation partner.



WORK PATENT LIST

DESIGNED AND DEVELOPED

YFT aims to seek credibility of integrity, innovation and development. Quality products and services, is the basis for the establishment of a win-win situation with our customers. We lay emphasis on friendship, any one of customers will be our friend forever.



WORK THE MEASURING INSTRUMENTS AND TESTING

We have strictly process of quality control to make sure every products quality integrity

Drill driver assembly line



Lithium battery sorting machine



Battery charger assembly line



Blow molding equipment



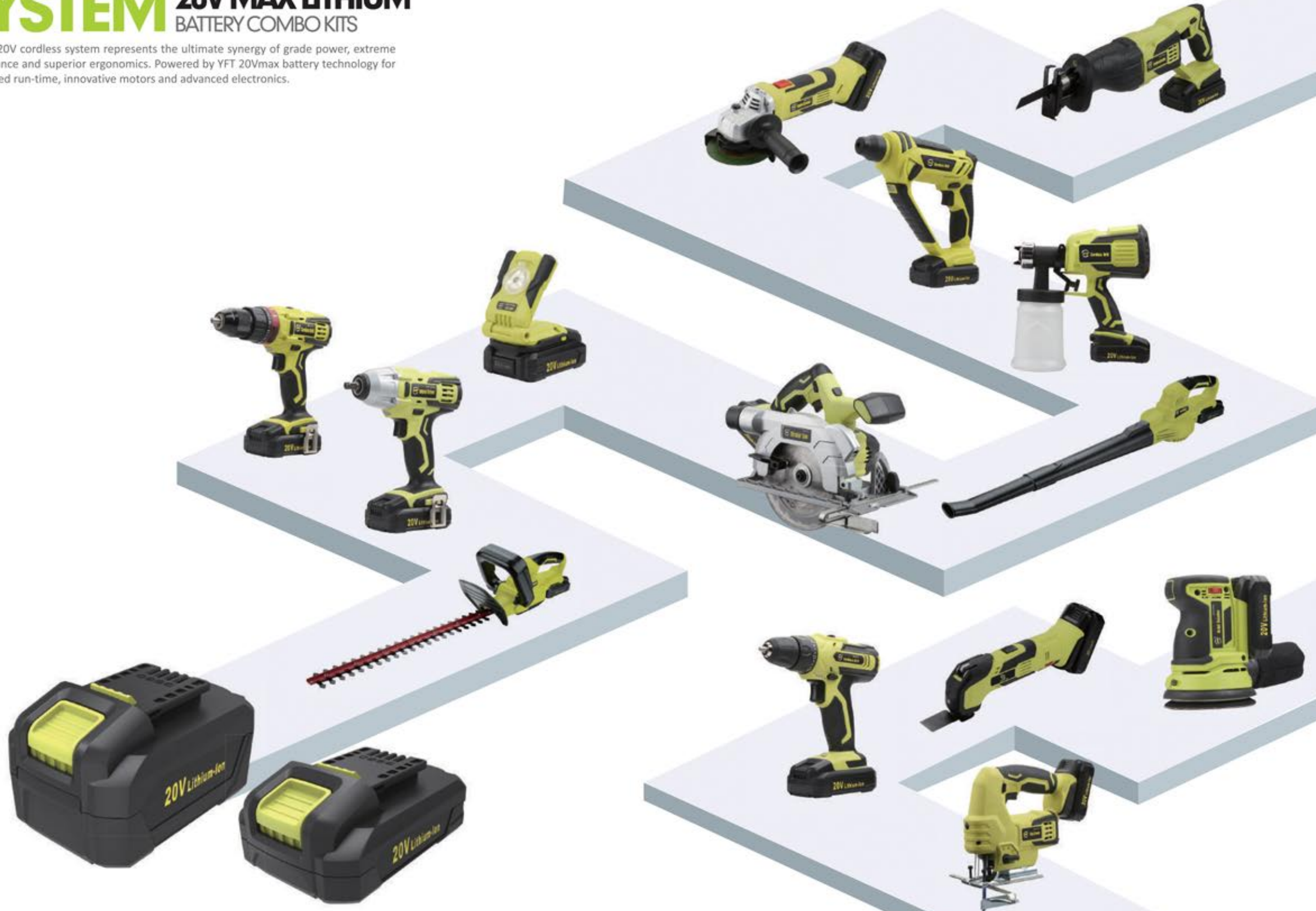
Screwdriver assembly line

Lithium battery pack aging test machine

SYSTEM 20V MAX LITHIUM BATTERY COMBO KITS

20V BATTERY SYSTEM

The YFT 20V cordless system represents the ultimate synergy of grade power, extreme performance and superior ergonomics. Powered by YFT 20Vmax battery technology for unmatched run-time, innovative motors and advanced electronics.



20V BATTERY SYSTEM

www.yftqy.com | 11/12

20V MAX LITHIUM BATTERY SYSTEM

The YFT 20V MAX Lithium-Ion Cordless 1/2-inch Hammer drill driver is engineered for applications in wood, metal, masonry, and concrete. Powerful high-performance motor and compact lightweight design are great for home projects to improve user comfort.

20V^{MAX}
LITHIUM ION

JOZ-YFT51



LI-ION CORDLESS DRILL/DRIVER

BATTERY POWER
CHUCK SIZE
NO LOAD SPEED

DRILLING CAPACITIES

MAX.TORQUE
BATTERY CAPACITY
CHARGING TIME
MOTOR TYPE

JOZ-YFT51

20V Li-ion
13mm
0-400/0-1600rpm
Wood 26mm
steel 10mm
45N.M
1500mAh/2000mAh/4000mAh
1Hour/3-5Hour
735#



Features:

13mm single sleeve plastic keyless chuck
With Hammer Function
Spindle lock
LED Working Light for dark work
Led power display on battery pack
21+1 positions torque settings
Soft grip handle
Electronic variable speed control with reverse
20V slide Li-ion battery pack

Standard Accessory &Packing:

1pc 1hour faster charger
BMC box/Color box packing



JOZ-YFT57C



LI-ION CORDLESS DRILL/DRIVER

BATTERY POWER
CHUCK SIZE
NO LOAD SPEED

IMPACT RATE

MAX.TORQUE
BATTERY CAPACITY
CHARGING TIME
MOTOR TYPE

JOZ-YFT57C

20V Li-ion
10mm
0-350/0-1350rpm
Wood 26mm
35N.M
1500mAh/2000mAh/4000mAh
1Hour/3-5Hour
650#



Features:

10mm single sleeve plastic keyless chuck
Spindle lock
LED Working Light for dark work
Led power display on battery pack
21+1 positions torque settings
Soft grip handle
Electronic variable speed control with reverse
20V slide Li-ion battery pack

Standard Accessory &Packing:

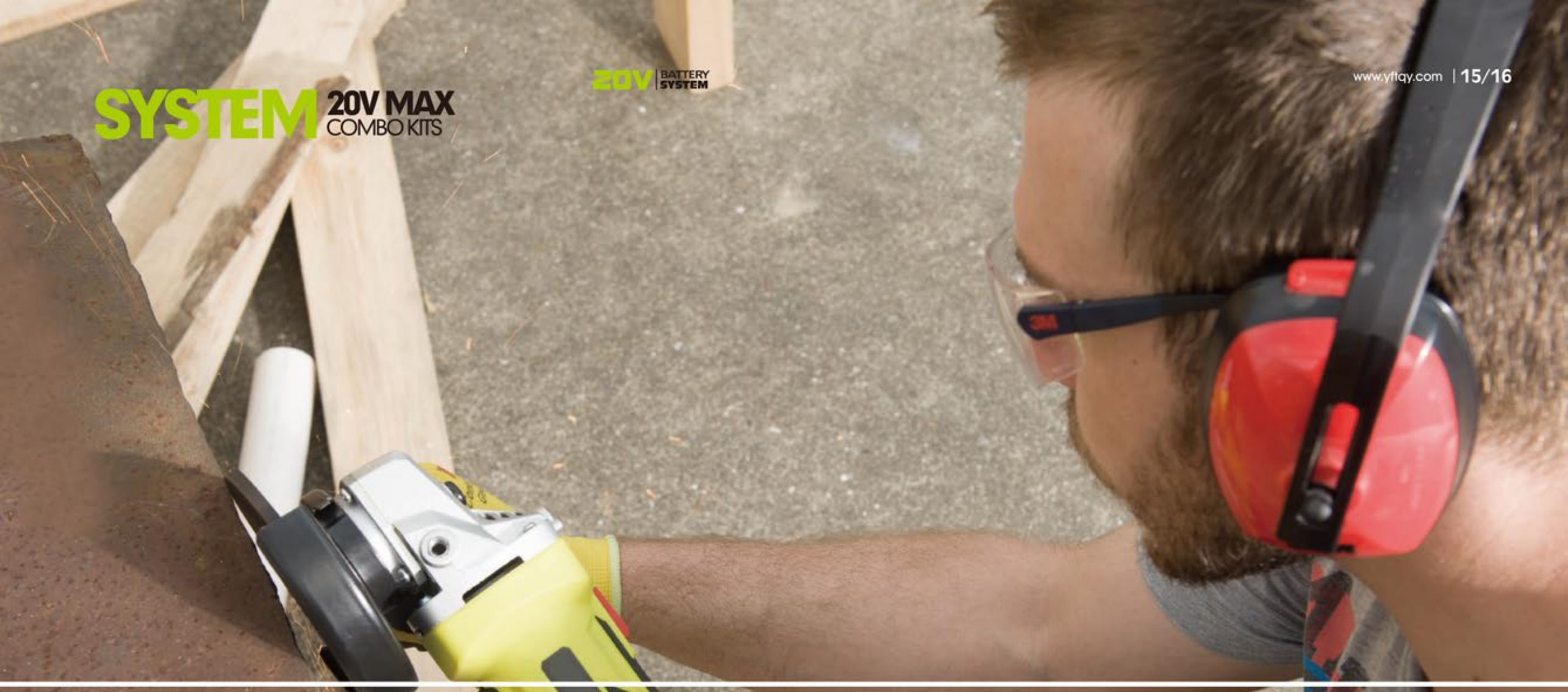
1pc 1hour faster charger
BMC box/Color box packing



SYSTEM 20V MAX COMBO KITS

20V BATTERY SYSTEM

www.yftqy.com | 15/16



20V BATTERY SYSTEM

CORDLESS ANGLE GRINDER

BATTERY POWER
DISC DIAMETER
NO LOAD SPEED
BATTERY CAPACITY
CHARGING TIME
MOTOR TYPE

SOM-YFT01

20V Li-ion
125mm
8000rpm
1500mAh/2000mAh/4000mAh
1Hour/3-5Hour
885#



Features:

Delivers up to 8000 RPM motor provides high power -for cutting and grinding applications
Led power display on battery pack
Soft grip handle
20V slide Li-ion battery pack

Standard Accessory &Packing:

1pc Allen wrench
1pc disc.
1pc 1hour faster charger
BMC box/Color box packing

ZOY-YFT02



CORDLESS OSCILLATING TOOL

BATTERY POWER
NO LOAD SPEED
BATTERY CAPACITY
CHARGING TIME
MOTOR TYPE

ZOY-YFT02

20V Li-ion
5000-18000 rpm
1500mAh/2000mAh/4000mAh
1Hour/3-5Hour
775#



Features:

- Compact lithium-ion battery for superior battery life, -power, and runtime
- Unique spindle & blade arbor design positively locks blade
- Heavy duty die cast aluminum gear housing
- Sealed bearings for long life
- LED Working Light for dark work
- Led power display on battery pack
- Soft grip handle
- Electronic variable speed control
- 20V slide Li-ion battery pack

Standard Accessory &Packing:

- 1pc 1hour faster charger
- BMC box/Color box packing



YOQ-YFT01



CORDLESS JIG SAW

BATTERY POWER
STROKE LENGTH

MAX. CUTTING CAPACITY

PENDULUM SETTING
DUAL BEVEL ADJUSTMENT
NO LOAD SPEED
BATTERY CAPACITY
CHARGING TIME
MOTOR TYPE

YOQ-YFT01

20V Li-ion
25mm
Wood 50mm
metal 8mm
plastic 20mm
3+off
0-45°
0-2500rpm
1500mAh/2000mAh/4000mAh
1Hour/3-5Hour
775#



Features:

- 3 orbital settings plus straight cutting for use
- in a wide range of materials
- LED Working Light for dark work
- Led power display on battery pack
- Soft grip handle
- 20V slide Li-ion battery pack

Standard Accessory &Packing:

- 1pc 1hour faster charger
- BMC box/Color box packing



SYSTEM 20V MAX COMBO KITS

20V BATTERY SYSTEM

Circular saw is designed with a powerful high torque motor, Fast cutting blade for a variety of cuts, bevel adjustment with detents at 45 and 90 degrees, tool-free depth of cut allows for easy depth adjustments



MOY-YFT01



CORDLESS CIRCULAR SAW

BATTERY POWER
BLADE DIAMETER
BORE DIAMETER
NUMBER OF TEETH
CUTTING CAPACITY
NO LOAD SPEED
BATTERY CAPACITY
CHARGING TIME
MOTOR TYPE

MOY-YFT01

20V Li-ion
 140/150mm
 12.75mm
 18
 38/48mm(90°)
 27/36mm(45°)
 4000rpm
 1500mAh/2000mAh/4000mAh
 1Hour/3-5Hour
 895#

CE RoHS

Features:

- 4500 RPM for fast rip cuts and cross cuts
- 150mm carbide tipped blade for 2x cutting capacity at -90 degrees and 45 degrees
- High strength magnesium shoe and upper guard -provides increased durability
- LED Working Light for dark work
- Led power display on battery pack
- Electric brake
- Soft grip handle
- 20V slide Li-ion battery pack

Standard Accessory &Packing:

- 1pc Hex Wrench
- 1pc 1hour faster charger
- BMC box/Color box packing



JOL-YFT01



CORDLESS RECIPROCATIN SAW

BATTERY POWER
STROKE LENGTH

DRILLING CAPACITIES

NO LOAD SPEED
BATTERY CAPACITY
CHARGING TIME
MOTOR TYPE

JOL-YFT01

20V Li-ion
22mm
Wood 100mm
metal 10mm
0-3000rpm
1500mAh/2000mAh/4000mAh
1Hour/3-5Hour
775#



Features:

Compact and lightweight design fits between studs and allows users to make cuts -in confined spaces
22mm stroke length delivers faster cutting speed
Variable Speed Trigger with 0-3,000spm
LED Working Light for dark work
Led power display on battery pack
Soft grip handle
20V slide Li-ion battery pack

Standard Accessory &Packing:

1pc 1hour faster charger
BMC box/Color box packing



ZOC-YFT02



CORDLESS SDS ROTARY HAMMER

BATTERY POWER
NO LOAD SPEED
IMPACT ENERGY
IMPACT RATE
BATTERY CAPACITY
CHARGING TIME

ZOC-YFT02

20V Li-ion
0-900rpm
1.2J
0-5000bpm
1500mAh/2000mAh/4000mAh
1Hour/3-5Hour



Features:

3 tools in 1 – Drill, driver & pneumatic hammer
Accepts all common bits and SDS-plus bits
LED Working Light for dark work
Led power display on battery pack
Soft grip handle
Electronic variable speed control with reverse
20V slide Li-ion battery pack

Standard Accessory &Packing:

1pc 1hour faster charger
BMC box/Color box packing



SYSTEM 20V MAX COMBO KITS



20V BATTERY SYSTEM



CORDLESS PAINT SPRAYER

TIP SIZE
MAX. PRESSURE
MAX. FLOW RATE
WORKING TIME
BATTERY CAPACITY
CHARGING TIME

SOM-YFT01

1.8mm
11KPA
380ML/min(water) , 90ML/MIN(Paint)
20 minute
1500mAh/2000mAh/4000mAh
1Hour/3-5Hour



Features:

- Incredible durability in a light weight design
- Replace the pump in 3 steps using only a screwdriver
- Soft grip handle
- Pressure control switch
- 20V slide li-ion battery pack

Standard Accessory &Packing:

- 1PC filling funnel
- Carry bag/color box packing

POB-YFT04



LI-ION CORDLESS IMPACT DRIVER

BATTERY POWER
CHUCK SIZE
NO LOAD SPEED
IMPACT RATE
MAX.TORQUE
BATTERY CAPACITY
CHARGING TIME
MOTOR TYPE

POB-YFT04

20V Li-ion
 3/8" or 1/4" hex chuck
 0-2200rpm
 0-3000 bpm
 150N.M
 1500mAh/2000mAh/4000mAh
 1Hour/3-5Hour
 775#



Features:

3/8" or 1/4" hex chuck
 LED Working Light for dark work
 Led power display on battery pack
 Soft grip handle
 Electronic variable speed control with reverse
 20V slide Li-ion battery pack

Standard Accessory &Packing:

1pc 1hour faster charger
 BMC box/Color box packing



POF-YFT04



CORDLESS FLASH LIGHT

BATTERY POWER
1W
ILLUMINATION
CONTINUOUS LIGHTING TIME
BATTERY CAPACITY
CHARGING TIME

POF-YFT04

20V Li-ion
 LED X 3
 200Lm
 about 10hours
 1500mAh/2000mAh/4000mAh
 1Hour/3-5Hour



Features:

Conveniently light up dark work areas let -you continue until the job is done.
 Convenient cordless operation.
 Led power display on battery pack
 20V slide Li-ion battery pack

Standard Accessory &Packing:

1pc 1hour faster charger
 BMC box/Color box packing



SYSTEM 20V MAX COMBO KITS

The 20V max* random orbit sander brings cordless convenience for small projects and quick touches. Dust collection helps to keep the work surface clean.



20V BATTERY SYSTEM

CORDLESS ORBIT SANDER

SANDER SIZE
NO LOAD SPEED
WORKING TIME
BATTERY CAPACITY
CHARGING TIME

SOK-YFT01

122mm
10000 rpm
35 minutes
1500mAh/2000mAh/4000mAh
1hour/3-5hour

Features:

- 6 variable-speed control
- Soft grip handle
- Dust collection system
- switch located at the top,easy on/off during application
- 20V slide li-ion battery pack

Standard Accessory &Packing:

- 3PCs Sander Paper
- Carry bag/color box packing



SYSTEM 20V MAX
COMBO KITS

20V BATTERY
SYSTEM

GARDEN
POWERTOOLS

www.yftqy.com | 29/30

YOM-YFT01

CORDLESS GRASS TRIMMER

BATTERY POWER
CUTTING PATH
TELESCOPIC TUBE
NO LOAD SPEED
BATTERY CAPACITY
CHARGING TIME
MOTOR TYPE

YOM-YFT01

20V Li-ion
230mm
Aluminum (adjustable length from 850-1140mm)
8000rpm
1500mAh/2000mAh/4000mAh
1Hour/3-5Hour
755#



Features:

- Power Drive Transmission prevents bogging down
- Lightweight ergonomic design with adjustable -height and pivoting handle
- high torque transmission provide maximum performance
- Led power display on battery pack
- Soft grip handle
- 20V slide Li-ion battery pack

Standard Accessory &Packing:

- 1pc 1hour faster charger
- Color box packing



YOD-YFT01



CORDLESS HEDGE TRIMMER

BATTERY POWER
CUTTING PATH
DISTANCE OF TEETH
BLADE MATERIAL
NO LOAD SPEED
BATTERY CAPACITY
CHARGING TIME
MOTOR TYPE

YOD-YFT01

20V Li-ion
410/460/510mm
11/14mins
65Mn
1400rpm
1500mAh/2000mAh/4000mAh
1Hour/3-5Hour
775#



Features:

- Lightweight design for better handling and less user fatigue
- Convenient cord lock to prevent accidental unplugging
- Led power display on battery pack
- Soft grip handle
- 20V slide Li-ion battery pack

Standard Accessory &Packing:

- 1pc 1hour faster charger
- Color box packing
- 1pc blade cover



YOR-YFT01



CORDLESS LEAF BLOWER

BATTERY POWER
NO LOAD SPEED
AIRSPEED
RUNNING TIME
BATTERY CAPACITY
CHARGING TIME
MOTOR TYPE

YOR-YFT01

20V Li-ion
13000rpm(High)/9000rpm(Low)
120MPH(High)/50MPH(Low)
10-15mins(high)/25-38mins(Low)
1500mAh/2000mAh/4000mAh
1Hour/3-5Hour
775#



Features:

- Lightweight and easy to use
- 2-speed air control for greater versatility
- Perfect for clearing leaves and debris from -sidewalks, decks and driveways
- Led power display on battery pack
- Soft grip handle
- 20V slide Li-ion battery pack

Standard Accessory &Packing:

- 1pc 1hour faster charger
- Color box packing



BRUSHLESS HIGH PERFORMANCE POWER TOOLS

The new brushless technology brings you much powerful experience, feature a brushless motor which provides 50% more runtime. This powerful drill has 370 MW of power for heavy duty applications with minimal stall, along with a transmission that has 1600 max rpm for speed of drilling & fastening applications.

BRUSHLESS



BRUSHLESS MOTOR

This brushless motor converts energy into power and torque more efficiently, it has much longer working life than brush one, resulting in superior application performance.



INTELLIGENCE BOARD

Designed with advance electronic system for maximum performance, total system communication with overload protection for tool life increasing.



Y20 BATTERY PACK

Compatible with Y20 brushless battery system, come with great power, delivers more running-time and recharges. Improved packing technology and easy to slide in and out design.

BRUSHLESS HIGH PERFORMANCE POWER TOOLS

The YFT 20V MAX Lithium-Ion Cordless Drill Driver is engineered for applications in wood, metal, masonry and more. Its high-performance motor and compact lightweight design are great for professional and DIY users.



BRUSHLESS POWERMAX



LI-ION CORDLESS DRILL/DRIVER

BATTERY POWER
CHUCK SIZE
NO LOAD SPEED
DRILLING CAPACITIES
MAX.TORQUE
BATTERY CAPACITY
CHARGING TIME

JOZ-YFT53

20V Li-ion
 13mm
 0-400/0-1600rpm
 Wood 26mm
 steel 10mm
 45N.M
 1500mAh/2000mAh
 1Hour/3-5Hour

Features:

- 13mm single sleeve plastic keyless chuck With Hammer Function
- Spindle lock
- LED Working Light for dark work
- Led power display on battery pack
- 21+1 positions torque settings
- Soft grip handle
- Electronic variable speed control with reverse
- 20V slide Li-ion battery pack

Standard Accessory &Packing:

- 1pc 1hour faster charger
- BMC box/Color box packing



POB-YFT06



LI-ION CORDLESS IMPACT DRIVER

BATTERY POWER
CHUCK SIZE
NO LOAD SPEED
IMPACT RATE
MAX.TORQUE
BATTERY CAPACITY
CHARGING TIME
MOTOR TYPE

POB-YFT06

20V Li-ion
1/2 hex chuck
0-3000 rpm
0-3300 rpm
280 N.M
1500/2000 mah
1Hour/3-5Hour



Features:

1/2 hex chuck
LED Working Light for dark work
Led power display on battery pack
Soft grip handle
Electronic variable speed control with reverse
20V slide Li-ion battery pack

Standard Accessory &Packing:

1pc 1hour faster charger
BMC box/Color box packing



SOM-YFT03



CORDLESS ANGLE GRINDER

BATTERY POWER
DISC DIAMETER
NO LOAD SPEED
BATTERY CAPACITY
CHARGING TIME

SOM-YFT03

20V Li-ion
125mm
9000rpm
1500mAh/2000mAh/4000mAh
1Hour/3-5Hour



Features:

Delivers up to 9000 RPM motor provides high power
-for cutting and grinding applications
Led power display on battery pack
Soft grip handle
20V slide Li-ion battery pack

Standard Accessory &Packing:

1pc Allen wrench
1pc disc.
1pc 1hour faster charger
BMC box/Color box packing



NOW MORE COMPACT

Tackle both everyday tasks and tough applications



NOW MORE COMPACT

Tackle both everyday tasks and tough applications

COMPACT
TOOLS

COMPACT
TOOLS

JOZ-YFT56



10.8V

BATTERY POWER
CHUCK SIZE
NO LOAD SPEED
DRILLING CAPACITIES
MAX. TORQUE
BATTERY CAPACITY
CHARGING TIME
MOTOR

JOZ-YFT56

12V Li-ion
10mm
0-350/0-1350rpm
Wood 25mm
Steel 10mm
22Nm
1500mAh
1Hr
550



Features:

10mm keyless chuck
21+1 positions torque settings
Electronic variable speed control with reverse
LED working light
LED battery indicator
Forward/reverse indicator
Spindle lock
Soft grip handle



JOZ-YFT41



LI-ION CORDLESS DRILL/DRIVER

BATTERY POWER
CHUCK SIZE
NO LOAD SPEED
DRILLING CAPACITIES
MAX. TORQUE
BATTERY CAPACITY
CHARGING TIME
MOTOR

JOZ-YFT41

18V Li-ion
10mm
0-350/0-1350rpm
Wood 26mm
Steel 10mm
30Nm
1300mAh
3-5Hrs
550



Features:

10mm keyless chuck
LED power display on battery pack
LED working light for dark work
19 positions torque settings
Soft grip handle
Electronic variable speed control with reverse
Belt hook
18V slide Li-ion battery pack

Standard Accessory &Packing:

1pc double ended bit: "-"5.5mm, "+"PH2
1pc 3-5Hrs charger
Color box packing



NOW MORE COMPACT

Tackle both everyday tasks and tough applications

COMPACT
TOOLS

COMPACT
TOOLS



JOZ-YFT45

JOZ-YFT45B

LI-ION CORDLESS DRILL/DRIVER

BATTERY POWER
CHUCK SIZE
NO LOAD SPEED
DRILLING CAPACITIES
MAX. TORQUE
BATTERY CAPACITY
CHARGING TIME
MOTOR

JOZ-YFT45

18V Li-ion
10mm
0-350/0-1350rpm
Wood 26mm
Steel 10mm
30Nm
1300mAh
3-5Hrs
550



Features:

10mm keyless chuck
LED power display on battery pack
LED working light for dark work
21 positions torque settings
Soft grip handle
Electronic variable speed control with reverse
18V slide Li-ion battery pack

Standard Accessory &Packing:

1pc 3-5Hrs charger
Color box packing



LI-ION CORDLESS DRILL/DRIVER

BATTERY POWER
CHUCK SIZE
NO LOAD SPEED
DRILLING CAPACITIES
MAX. TORQUE
BATTERY CAPACITY
CHARGING TIME
MOTOR

JOZ-YFT45B

18V Li-ion
10mm
0-550rpm
Wood 26mm
Steel 10mm
18Nm
1300mAh
3-5Hrs
550



Features:

10mm keyless chuck
LED power display on battery pack
LED working light for dark work
21 positions torque settings
Soft grip handle
Electronic variable speed control with reverse
18V slide Li-ion battery pack

Standard Accessory &Packing:

1pc 3-5Hrs charger
Color box packing



LI-ION
CORDLESS
SCREWDRIVER



COMPACT
TOOLS

www.yftqy.com | 45/46



POL-YFT25

LI-ION CORDLESS
SCREWDRIVER

BATTERY POWER
CHUCK SIZE
NO LOAD SPEED
MAX.TORQUE
BATTERY CAPACITY
CHARGING TIME

POL-YFT25

4V Li-ion
1/4" Hex Chuck
250rpm
5Nm
1300mAh
2-3Hour



Features:

- On/Off switch with reverse
- LED working light for dark work
- LED battery power and charging indicator
- LED rotation direction indicator
- Micro USB charging
- Pistol handle
- Soft grip handle

Standard Accessory &Packing:

- 5pc screwdriver bits
- Micro USB charger
- Color box packing



LI-ION CORDLESS SCREWDRIVER

**COMPACT
TOOLS**

JOZ-YFT30



LI-ION CORDLESS SCREWDRIVER

BATTERY POWER
CHUCK SIZE
NO LOAD SPEED
MAX. TORQUE
BATTERY CAPACITY
CHARGING TIME

JOZ-YFT30

3.6V Li-ion
1/4" quick release Chuck
200rpm
4Nm
1300mAh
5-7Hrs



Features:

1/4" quick release chuck
6 positions torque setting
On/Off switch with reverse
LED light
LED battery power indicator
Adjustable handle.
Spindle lock.
Soft grip handle
Led torch function

Standard Accessory &Packing:

5pc screwdriver bits
1pc 3-5Hrs charger
Double blister packing



**COMPACT
TOOLS**

LI-ION CORDLESS SCREWDRIVER

POL-YFT32



LI-ION CORDLESS SCREWDRIVER

BATTERY POWER
CHUCK SIZE
NO LOAD SPEED
MAX. TORQUE
BATTERY CAPACITY
CHARGING TIME

POL-YFT32

4V Li-ion
1/4" Hex Chuck
200rpm
4Nm
1300mAh
5-7Hrs



Features:

On/Off switch with reverse
Pistol handle.
LED light for dark work
LED battery power indicator
Soft grip handle

Standard Accessory &Packing:

1pc 3-5Hrs charger
carry bag/color box packing



PRECISION SCREWDRIVER

PRECISION
SCREWDRIVER

PRECISION SCREWDRIVER

VOLTAGE
DRIVER
NO LOAD SPEED
MAX.TORQUE
BATTERY CAPACITY

POL-YFT34

3.6V
1/8"
120rpm
4NM
lithium battery

Features:

Precision screwdriver with LED working light for computer, mobile phone repair using, USB charger



PRECISION
SCREWDRIVER

POL-YFT24

PRECISION SCREWDRIVER

VOLTAGE
DRIVER
NO LOAD SPEED
MAX.TORQUE
BATTERY CAPACITY

POL-YFT24

3.0V
1/8"
100rpm
0.5 NM
AAA battery

Features:

Precision screwdriver with LED working light for computer, mobile phone repair using.



YFT-PC21

Contents:

- 18PC 28mm length bits
- 2 PC AAA batteries
- 1 PC cordless precision screwdriver.



4 IN 1 LITHIUM-ION CORDLESS COMBO KIT

brings powerful and durable home-improvement solutions at a value for cost-conscious homeowners. These cordless tools are powered by 3.6V lithium-ion battery, and the Combo Kit includes a screwdriver, mini grinder, scissors and LED light.

DIY TOOLS
SCREWDRIVER

DIY TOOLS
SCREWDRIVER



3.6V

BATTERY POWER
CHUCK SIZE
NO LOAD SPEED
MAX. TORQUE
BATTERY CAPACITY
CHARGING TIME

POL-YFT18

3.6V Li-ion
1/4" Hex chuck
200mm
4.0Nm
1300mAh
5-7Hrs



Features:

On/Off switch with reverse
LED light for dark work
LED battery power indicator.
11 positions torque setting
Spindle lock.
Soft grip handle.

Standard Accessory&Packing:

5pc double screwdriver bits
1pc 3-5Hrs charger
Double blister packing



LI-ION MINI GRINDER

BATTERY POWER
CHUCK SIZE
NO LOAD SPEED
BATTERY CAPACITY
CHARGING TIME

MOD-YFT01

3.6V Li-ion
1/8" (3.2mm) collet size
5000-18000rpm
1300mAh
5-7Hrs



Features:

1/8" collect size
Variable speed for easier control
LED working light
Spindle lock for grinders easy changing
Soft grip handle

Standard Accessory&Packing:

1pc 3-5Hrs charger
1 plastic box with grinder accessories
Double blister packing



3.6V

BATTERY POWER
NO LOAD SPEED
CORRUGATED CARD BOARD
HARD CARTON
KNIFE MATERIAL
BATTERY CAPACITY
CHARGING TIME

MOD-YFT02

3.6V Li-ion
10000 opm
5mm
2mm
6Cr13Mn
1300mAh
5-7Hrs



Features:

6Cr13Mn knife
Exchangeable knife head
Safety switch
Soft grip handle

Standard Accessory&Packing:

1pc 3-5Hrs charger
1 set extra knife head
Double blister packing



LI-ION LED LIGHT

BATTERY POWER
LED LIGHTS
WORKING TIME
BATTERY CAPACITY
CHARGING TIME

POF-YFT07

3.6V Li-ion
9+6pcs
30Hrs
1300mAh
5-7Hrs



Features:

9pcs LED lights on head for flash light
6pcs LED lights on side for deist light
ON/OFF switch
Can stand on the table for work easy
More than 30Hrs working time
Soft grip handle

Standard Accessory&Packing:

1pc 3-5Hrs charger
Double blister packing



LITHIUM-ION

COMPACT DRILL/DRIVER

featuring a compact, lightweight design for easy handling overhead and in tight spaces, the yft 12volt & 7.2v drill/driver lets you tackle semi-professional jobs with ease. offering high torque and the convenience of two speed settings, this tool is powerful and user-friendly for fast, efficient drilling and driving. this drill/driver combines speed, power, and performance, making it ideal for professionals and do-it-yourselfers.

DIY TOOLS
SCREWDRIVER

DIY TOOLS
SCREWDRIVER



10.8V

BATTERY POWER
CHUCK SIZE
NO LOAD SPEED
DRILLING CAPACITIES
MAX. TORQUE
BATTERY CAPACITY
CHARGING TIME
MOTOR

JOZ-YFT46

12V Li-ion
10mm
0-350/0-1350rpm
Wood 25mm
Steel 10mm
22Nm
1300mAh
1Hr
550(China)



Features:

10mm keyless chuck
21+1 positions torque settings
Electronic variable speed control with reverse
LED working light
LED battery indicator
Forward/reverse indicator
Spindle lock
Soft grip handle



JOZ-YFT36

10.8V Li-ion
10mm
0-350/0-1100rpm
Wood 18mm
Steel 10mm
15Nm
1300mAh
3-5Hrs
550(China)



Features:

10mm keyless chuck
11+1 positions torque settings
Electronic variable speed control with reverse
LED working light



3.6V

BATTERY POWER
CHUCK SIZE
NO LOAD SPEED
DRILLING CAPACITIES
MAX. TORQUE
BATTERY CAPACITY
CHARGING TIME

JOZ-YFT39

7.2V Li-ion
10mm
0-350rpm
Wood 18mm
Steel 8mm
6Nm
1300mAh
3-5Hrs



Features:

10mm keyless chuck
12+1 positions torque settings
Electronic variable speed control with reverse
LED battery power display



LI-ION GLUE GUN

BATTERY POWER
CHUCK SIZE
PREHEAT TIME
RUNNING TIME
BATTERY CAPACITY
CHARGING TIME

POG-YFT01

4V Li-ion
7.2mm
15S
45Min
1300mAh
5-7Hrs



Features:

LED heating indicator
LED working light
LED power battery indicator
Soft grip handle



LI-ION CORDLESS SCREWDRIVER

DIY TOOLS SCREWDRIVER

DIY TOOLS SCREWDRIVER



3.6V

BATTERY POWER
CHUCK SIZE
NO LOAD SPEED
MAX. TORQUE
BATTERY CAPACITY
CHARGING TIME

POL-YFT18-2

3.6V Li-ion
1/4" Hex Chuck
200rpm
4Nm
1300mAh
5-7Hrs



Features:

On/Off switch with reverse
LED light for dark work
LED battery power indicator.
Spindle lock.
Soft grip handle.



POL-YFT26

4V Li-ion / 4.8V Ni-Cd
1/4" Hex Chuck
200rpm
3.5Nm
1300mAh
5-7Hrs



Features:

On/Off switch with reverse
Pistol handle.
LED light for dark work
LED battery power indicator
Soft grip handle

Standard Accessory & Packing:

5pc screwdriver bits
1pc 3-5Hrs charger
Double blister packing



POL-YFT21

3.6V Li-ion
1/4" quick release Chuck
200rpm
4Nm
1300mAh
5-7Hrs



Features:

1/4" quick release chuck
6 positions torque setting
On/Off switch with reverse
LED light
LED battery power indicator
Adjustable handle.
Spindle lock.
Soft grip handle

Standard Accessory & Packing:

5pc screwdriver bits
1pc 3-5Hrs charger
Double blister packing



3.6V

BATTERY POWER
CHUCK SIZE
NO LOAD SPEED
MAX. TORQUE
BATTERY CAPACITY
CHARGING TIME

POL-YFT12

4.8V Ni-Cd
1/4" Hex Chuck
180rpm
3.5Nm
800mAh
5-7Hrs



Features:

On/Off switch with reverse
Pistol handle.
LED light for dark work
LED battery indicator to check
battery level.
Soft grip handle



POL-YFT16

4.8V Ni-Cd
1/4" Hex Chuck
180rpm
3.5Nm
800mAh
5-7Hrs



Features:

On/Off switch with reverse
Pistol handle.
LED light for dark work
LED battery indicator to check
battery level.
Soft grip handle



POL-YFT15

4.8V Ni-Cd
1/4" Hex Chuck
190rpm
3.5Nm
800mAh
5-7Hrs



Features:

On/Off switch with reverse
Adjustable handle.
LED light for dark work
LED battery power indicator.
Soft grip handle.



HEAVY DUTY LITHIUM / NI-CD DRILL / DRIVER

has a powerful 20v MAX motor which provides enough power for a full range of applications & attachments, and a 10mm chuck. It features a lithium ion battery - Always Ready, holds a charge up to 18 months. This drill/driver is compact and lightweight design that allows users to carry out drilling/driving tasks in confined spaces and with ease.

18V BATTERY SYSTEM

18V BATTERY SYSTEM



LI-ION CORDLESS DRILL/DRIVER

BATTERY POWER
CHUCK SIZE
NO LOAD SPEED
DRILLING CAPACITIES
MAX. TORQUE
BATTERY CAPACITY
CHARGING TIME
MOTOR

JOZ-YFT27

18V Ni-Cd, 18V Li-Ion
10mm
0-550rpm or 0-350 / 0-1000rpm
Wood 18 / 22mm, 22 / 25mm
Steel 10mm / 10mm
15 / 18 Nm, 18 / 24Nm
1200 mAh, 1300mAh
3-5Hrs
550(China)



Features:

10mm keyless chuck
24 positions torque settings
Electronic variable speed control
-control with reverse
Soft grip handle



JOZ-YFT31

18V Li-Ion
10mm
0-550rpm or 0-350 / 0-1000rpm
Wood 22mm / 25mm
Steel 10mm / 10mm
18 / 24Nm
1300mAh
3-5Hrs
550(China)



Features:

10mm keyless chuck
24 positions torque settings
Electronic variable speed control
-with reverse LED working light
LED power battery indicator
Soft grip handle



JOZ-YFT31B

18V Ni-Cd
10mm
0-550rpm or 0-350 / 0-1000rpm
Wood 18mm / 25mm
Steel 10mm / 10mm
15 / 18Nm
1200mAh
3-5Hrs
550(China)



Features:

10mm keyless chuck
24 positions torque settings
Electronic variable speed control
-with reverse LED working light
LED power battery indicator
Soft grip handle



CORDLESS DRILL/DRIVER

BATTERY POWER
CHUCK SIZE
NO LOAD SPEED
DRILLING CAPACITIES
MAX. TORQUE
BATTERY CAPACITY
CHARGING TIME
MOTOR

JOZ-YFT16

18V Ni-Cd
10mm
0-550rpm
Wood 22mm
Steel 10mm
16Nm
1200 mAh
3-5Hrs
550(China)



Features:

10mm keyless chuck
15+1 positions torque settings
Electronic variable speed control
-with reverse
Soft grip handle



JOZ-YFT07

18V Ni-Cd
10mm
0-550rpm or 0-350 / 0-1000rpm
Wood 18mm / 22mm
Steel 10mm / 10mm
15 / 18Nm
1200mAh
3-5Hrs
550(China)



Features:

10mm keyless chuck
19+1 positions torque settings
Electronic variable speed control
-with reverse
Soft grip handle



JOZ-YFT24

18V Ni-Cd
10mm
0-900rpm or 0-350 / 0-1000rpm
Wood 18mm / 22mm
Steel 10mm / 10mm
15 / 18Nm
1200mAh
3-5Hrs
550(China)



Features:

10mm keyless chuck
24 positions torque settings
Electronic variable speed control
-with reverse
LCD battery power display
Soft grip handle



CORDLESS TOOL COMBO KITS



YFT-PC6

- 4PC 50mm bits
- 1pc cordless screwdriver
- 1pc power adaptor



YFT-PC7

- 4PC 50mm bits
- 1PC tool bag
- 1pc cordless screwdriver
- 1pc power adaptor



YFT-PC14

- 11PC 25mm bits
- 1PC 60mm magnetic bit holder
- 1pc cordless screwdriver
- 1pc power adaptor



YFT-PC18

- 14PC 25mm bits
- 2PC twist drill bits
- 1PC 60mm magnetic bit holder
- 1pc 8V Li-ion cordless drill
- 1PC power adaptor



YFT-PC39

- 21PC 25mm bits
- 9PC socket
- 1PC 60mm magnetic bit holder
- 6PC twist drills with hex shank
- 1pc 8V Li-ion cordless drill
- 1PC power adaptor



YFT-PC17A

- 6PC twist drill
- 6PC 25mm bits
- 1PC 60mm magnetic bit holder
- 1PC cordless drill
- 2PC batteries
- 1Set charger



YFT-PC26

- 17PC 25mm bits
- 1PC 60mm magnetic bit holder
- 6pc drill with hex shank
- 1pc cordless screwdriver
- 1pc power adaptor



JOZ-YFT18(DB)

- 10PC 25mm bits
- 1PC 60mm magnetic bit holder
- 1PC cordless screwdriver
- 1PC power adaptor



POF-YFT07(DB)

- 1PC LED light
- 1PC power adaptor



YFT-PC17C

- 6PC twist drill
- 6PC 25mm bits
- 1PC 60mm magnetic bit holder
- 1PC cordless drill
- 2PC batteries
- 1Set charger



YFT-PC17B

- 6PC twist drill
- 6PC 25mm bits
- 1PC 60mm magnetic bit holder
- 1PC cordless drill
- 1PC batteries
- 1Set charger
- 1set belt clip and screw



YFT-PC18C

- 6PC twist drill
- 6PC 25mm bits
- 1PC 60mm magnetic bit holder
- 1PC cordless drill
- 2PC batteries
- 1Set charger
- 1set belt clip and screw



MOD-YFT01(DB)

- 1PC plastic box with bits and grinders
- 1PC mini grinder
- 1PC power adaptor



MOD-YFT02(DB)

- 1PC exchangeable head
- 1PC scissors
- 1PC power adaptor

CORDLESS TOOL COMBO KITS



YFT-AT104C

- 98PC 25mm bits
- 1PC 25mm adaptor
- 1PC 50mm adaptor
- 1PC three way driver
- 1PC bit holder
- 1PC cordless screwdriver
- 1PC power adaptor



YFT-PC26C

- 18PC 25mm bits
- 5PC 50mm bits
- 1PC 60mm magnetic bit holder
- 1PC cordless screwdriver
- 1PC power adaptor



YFT-PC118B

- 19PC 50mm bits
- 84PC 25mm bits
- 7PC nut driver
- 1PC 60mm magnetic bit holder
- 6PC 1/4" socket
- 1PC cordless screwdriver with charger



YFT-PC45

- 28PC 25mm bits
- 8PC socket
- 1PC 60mm magnetic bit holder
- 6PC 50mm bits
- 1PC cordless screwdriver
- 1PC power adaptor



YFT-PC39

- 1PC 8OZ claw hammer
- 20PC 25mm bits
- 1PC 150mm long nose plier
- 1PC 225mm torpedo level
- 8PC hex key in a plastic clip
- 2PC screwdriver with two tone handle
- 1PC 19mm snop off knife
- 1PC 3M measuring tape
- 1PC 150mm adjustable wrench with mat grip
- 1PC 60mm magnetic bit holder
- 1PC cordless screwdriver
- 1PC power adaptor



YFT-PC91

- 10PC wood working drill
- 10PC HSS drill
- 10PC masonry drill
- 12PC 50mm bits
- 22PC 25mm bits
- 3PC wood spade bit
- 9PC 1/4" dr. socket
- 1PC PVC holder
- 1PC 60mm magnetic bit holder
- 3PC wire wheel brush + 2PC arbor bits
- 5PC 3mm shake sanding stone
- 2PC counter sink with sanding finished
- 1PC cordless drill with charger



YFT-PC81

- 10PC wood working drill
- 10PC HSS drill
- 2PC wood spade bit
- 1PC plastic flashlight
- 1PC 60mm magnetic bit holder
- 1PC bit holder with tow tone handle
- 18PC 1/4" dr socket
- 1PC T handle
- 33PC 25mm bits
- 4PC cordless drills and charger

